

Panasonic

BUSINESS

Outdoor Hermetic Condensing Unit Catalogue



Panasonic Appliances Refrigeration
System (Dalian) Co., Ltd



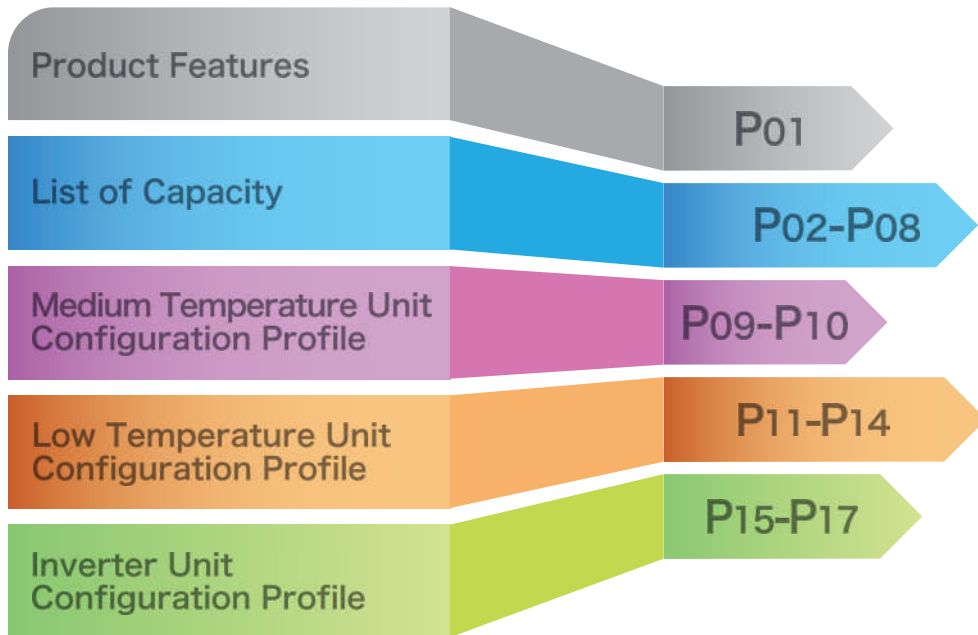
Panasonic



PRODUCT FEATURES

CONTENTS

Create Smart Comfortable World



Lower Energy	<ul style="list-style-type: none"> ■ Panasonic high efficiency scroll compressor special for fresh products. ■ With micro-computer control system and more precise control of system start-up and stop, situations that operating under low temp working conditions are decreased, so that operating efficiency is improved. ■ With Optimization of condenser heat dissipation efficiency, COP is increased.  <ul style="list-style-type: none"> ■ With optimized fan design and selection of low sound level fan, the overall sound level can be controlled under 58 dB. ■ The Optimized compressor design reduces the irritating high frequency sound waves. 	Low Sound Level
Easy for Use and Repair	<ul style="list-style-type: none"> ■ Evaporation temperature range +10~-40°C ■ Easy to install without rainproof protection ■ With reduction of threaded joints, leakage probability is decreased. ■ With external line connection, construction can be implemented without open up the box. ■ The exposed detection interface makes maintenance and repair easier.  <ul style="list-style-type: none"> ■ With the optimization of condenser fin coil, heat dissipation efficiency is improved. ■ With the optimization design of fan, sound level is reduced while heat dissipation capacity is promoted. ■ Maximum operating ambient temperature can be up to 48°C. 	High Ambient Temp.
Reliable Performance	<ul style="list-style-type: none"> ■ Panasonic scroll compressor with high quality. ■ Complete unit protection configuration. ■ Complete valve configuration. ■ Large amount of threaded joints are replaced by brazed joint to minimizes leakage as much as possible.  <ul style="list-style-type: none"> ■ More precise control improves system efficiency. ■ Dynamic operating parameters of unit can be displayed. Fault codes will be displayed during alarms. ■ Through the mobile APP, the unit operating status, history data, and alarm records can be checked. (2019 new product) 	Micro-computer Control



Ambient Temp -7°C~+48°C
 Evaporative Temp -15°C~+10°C
 Electric System 3φ 380V 50Hz

OCU-S350HF Medium Temp Scroll Unit Capacity/Power(KW) Current(A)

Evaporative Temp. (°C)	Ambient Temp 32°C			Ambient Temp 38°C			Ambient Temp 43°C		
	Capacity	Power Input	Current	Capacity	Power Input	Current	Capacity	Power Input	Current
-15	4.77	2.27	5.03	4.42	2.55	5.35	3.98	2.82	5.69
-10	5.71	2.38	5.16	5.33	2.64	5.48	4.90	2.90	5.81
-5	7.07	2.47	5.26	6.62	2.74	5.61	6.35	2.99	5.93
0	8.38	2.53	5.33	7.97	2.81	5.70	7.55	3.09	6.07
5	9.88	2.64	5.48	9.35	2.93	5.86	8.88	3.20	6.23
10	11.48	2.77	5.66	10.85	3.07	6.05	—	—	—

OCU-S400HF Medium Temp Scroll Unit Capacity/Power(KW) Current(A)

Evaporative Temp. (°C)	Ambient Temp 32°C			Ambient Temp 38°C			Ambient Temp 43°C		
	Capacity	Power Input	Current	Capacity	Power Input	Current	Capacity	Power Input	Current
-15	5.13	2.79	5.50	4.80	3.14	6.00	4.49	3.47	6.49
-10	6.56	2.81	5.53	5.91	3.23	6.13	5.52	3.59	6.67
-5	8.04	2.94	5.71	7.29	3.34	6.31	6.89	3.69	6.82
0	9.60	3.02	5.83	8.99	3.39	6.37	8.19	3.81	7.00
5	11.51	3.31	6.25	10.53	3.57	6.64	9.65	3.97	7.26
10	13.36	3.48	6.51	12.56	3.92	7.19	—	—	—

OCU-S500HF Medium Temp Scroll Unit Capacity/Power(KW) Current(A)

Evaporative Temp. (°C)	Ambient Temp 32°C			Ambient Temp 38°C			Ambient Temp 43°C		
	Capacity	Power Input	Current	Capacity	Power Input	Current	Capacity	Power Input	Current
-15	6.58	3.48	6.53	6.14	3.90	7.14	5.73	4.32	7.76
-10	8.19	3.53	6.62	7.55	4.03	7.32	7.00	4.47	7.97
-5	10.00	3.67	6.79	9.26	4.08	7.38	8.62	4.64	8.22
0	11.93	3.80	6.99	11.07	4.27	7.68	10.33	4.76	8.44
5	14.24	4.08	7.40	13.03	4.42	7.92	12.23	4.87	8.60
10	16.59	4.08	7.41	15.44	4.72	8.38	—	—	—

OCU-S600HF Medium Temp Scroll Unit Capacity/Power(KW) Current(A)

Evaporative Temp. (°C)	Ambient Temp 32°C			Ambient Temp 38°C			Ambient Temp 43°C		
	Capacity	Power Input	Current	Capacity	Power Input	Current	Capacity	Power Input	Current
-15	7.93	4.08	7.59	7.21	4.69	8.51	—	—	—
-10	9.68	4.16	7.71	8.79	4.80	8.67	8.10	5.40	9.59
-5	12.18	4.26	7.84	11.08	4.88	8.80	10.30	5.52	9.79
0	14.36	4.54	8.28	13.16	5.11	9.15	12.32	5.74	10.15
5	16.36	4.77	8.63	15.58	5.32	9.48	14.42	5.99	10.56
10	19.08	5.01	9.01	17.72	5.73	10.15	—	—	—

OCU-S700HF Medium Temp Scroll Unit Capacity/Power(KW) Current(A)

Evaporative Temp. (°C)	Ambient Temp 32°C			Ambient Temp 38°C			Ambient Temp 43°C		
	Capacity	Power Input	Current	Capacity	Power Input	Current	Capacity	Power Input	Current
-15	9.14	4.50	8.64	8.27	4.99	9.34	7.78	5.50	10.09
-10	10.93	4.67	8.80	9.67	5.30	9.80	9.26	5.67	10.36
-5	13.10	4.93	9.24	12.52	5.54	10.15	11.51	6.02	10.89
0	15.20	5.26	9.74	14.43	5.94	10.76	13.50	6.56	11.74
5	17.92	5.52	10.14	16.86	6.13	11.07	15.81	6.82	12.13
10	21.24	5.86	10.68	19.01	6.53	11.68	—	—	—



Ambient Temp -7°C~+48°C
 Evaporative Temp -15°C~+10°C
 Electric System 3φ 380V 50Hz

OCU-NS350HF Medium Temp Scroll Unit Capacity/Power(KW) Current(A)

Evaporative Temp. (°C)	Ambient Temp 32°C			Ambient Temp 38°C			Ambient Temp 43°C		
	Capacity	Power Input	Current	Capacity	Power Input	Current	Capacity	Power Input	Current
-15	4.87	2.77	5.69	4.36	3.13	6.15	3.95	3.44	6.60
-10	5.87	2.88	5.84	5.24	3.22	6.29	4.81	3.57	6.78
-5	7.45	2.97	5.95	6.82	3.33	6.44	6.24	3.68	6.93
0	8.70	3.08	6.10	8.07	3.46	6.62	7.36	3.80	7.12
5	10.04	3.21	6.28	9.21	3.59	6.81	8.39	3.93	9.18
10	11.26	3.33	6.46	10.12	3.74	7.05	—	—	—

OCU-NS400HF Medium Temp Scroll Unit Capacity/Power(KW) Current(A)

Evaporative Temp. (°C)	Ambient Temp 32°C			Ambient Temp 38°C			Ambient Temp 43°C		
	Capacity	Power Input	Current	Capacity	Power Input	Current	Capacity	Power Input	Current
-15	5.71	3.18	6.29	5.05	3.59	6.86	4.60	3.96	7.39
-10	6.80	3.32	6.48	6.06	3.71	7.04	5.43	4.08	7.56
-5	8.40	3.43	6.63	7.57	3.82	7.18	6.90	4.20	7.74
0	9.85	3.59	6.87	9.01	4.04	7.50	8.28	4.45	8.12
5	11.30	3.71	7.04	10.22	4.16	7.70	9.32	4.59	8.34
10	12.96	3.83	7.12	11.79	4.30	7.84	—	—	—

OCU-NS500HF Medium Temp Scroll Unit Capacity/Power(KW) Current(A)

Evaporative Temp. (°C)	Ambient Temp 32°C			Ambient Temp 38°C			Ambient Temp 43°C		
	Capacity	Power Input	Current	Capacity	Power Input	Current	Capacity	Power Input	Current
-15	7.20	3.99	7.30	6.47	4.53	8.10	5.84	5.01	8.83
-10	8.66	4.04	7.37	7.79	4.74	8.43	6.83	5.10	8.99
-5	11.03	4.18	7.58	9.88	4.76	8.46	8.88	5.34	9.34
0	12.76	4.30	7.76	11.46	4.85	8.59	10.59	5.35	9.37
5	14.54	4.56	8.16	13.61	4.99	8.82	12.61	5.57	9.72
10	16.98	4.86	8.63	15.52	5.18	9.12	—	—	—

OCU-NS600HF Medium Temp Scroll Unit Capacity/Power(KW) Current(A)

Evaporative Temp. (°C)	Ambient Temp 32°C			Ambient Temp 38°C			Ambient Temp 43°C		
	Capacity	Power Input	Current	Capacity	Power Input	Current	Capacity	Power Input	Current
-15	8.77	4.64	8.39	7.56	5.32	9.43	6.72	5.99	10.45
-10	10.41	4.82	8.67	9.35	5.42	9.59	8.40	6.08	10.62
-5	12.81	5.01	8.95	11.55	5.70	10.10	10.61	6.46	11.21
0	14.99	5.20	9.26	13.65	5.99	10.48	12.39	6.75	11.75
5	17.37	5.55	9.83	15.65	6.27	10.92	14.39	7.03	12.20
10	19.80	5.79	10.20	18.06	6.65	11.57	—	—	—

OCU-NS700HF Medium Temp Scroll Unit Capacity/Power(KW) Current(A)

Evaporative Temp. (°C)	Ambient Temp 32°C			Ambient Temp 38°C			Ambient Temp 43°C		
	Capacity	Power Input	Current	Capacity	Power Input	Current	Capacity	Power Input	Current
-15	9.42	5.07	9.50	8.48	5.78	10.55	7.60	6.38	11.49
-10	11.53	5.29	9.83	10.28	5.94	10.80	9.24	6.66	11.92
-5	14.02	5.61	10.31	12.72	6.25	11.28	11.87	7.00	12.46
0	16.61	6.02	10.94	15.25	6.60	11.84	13.95	7.30	12.95
5	18.31	6.29	11.35	17.20	6.75	12.08	15.77	7.46	13.21
10	22.70	6.56	11.80	19.75	7.34	13.04	—	—	—



Ambient Temp -7°C~+48°C
Evaporative Temp -40°C~-5°C
Electric System 3φ 380V 50Hz

OCU-R300SF Low Temp Rotor Unit Capacity/Power(KW) Current(A)

Evaporative Temp. (°C)	Ambient Temp 32°C			Ambient Temp 38°C			Ambient Temp 43°C		
	Capacity	Power	Input Current	Capacity	Power	Input Current	Capacity	Power	Input Current
-40	1.33	1.50	3.02	1.19	1.64	3.21	1.08	1.78	3.41
-35	1.70	1.60	3.15	1.52	1.74	3.36	1.40	1.88	3.56
-30	2.14	1.67	3.25	1.94	1.85	3.51	1.83	2.02	3.75
-25	2.64	1.81	3.44	2.42	1.98	3.70	2.23	2.13	3.93
-20	3.28	1.87	3.55	2.95	2.10	3.89	2.74	2.27	4.15
-15	3.95	2.15	3.96	3.62	2.31	4.22	3.35	2.50	4.51
-10	4.69	2.26	4.15	4.29	2.48	4.48	3.94	2.68	4.80
-5	5.60	2.37	4.30	5.16	2.60	4.69	4.73	2.84	5.06



Ambient Temp -7°C~+48°C
Evaporative Temp -40°C~-15°C
Electric System 3φ 380V 50Hz

OCU-S400SF Low Temp Scroll Liquid-injection Unit Capacity/Power(KW) Current(A)

Evaporative Temp. (°C)	Ambient Temp 32°C			Ambient Temp 38°C			Ambient Temp 43°C		
	Capacity	Power	Input Current	Capacity	Power	Input Current	Capacity	Power	Input Current
-40	1.96	2.56	5.17	1.83	2.95	5.69	1.69	3.30	6.18
-35	2.46	2.60	5.23	2.33	3.00	5.78	2.28	3.38	6.31
-30	2.84	2.64	5.30	2.76	3.05	5.85	2.55	3.43	6.38
-25	3.68	2.69	5.35	3.28	3.09	5.91	3.15	3.50	6.48
-20	4.47	2.73	5.42	4.11	3.17	6.04	3.87	3.58	6.62
-15	5.40	2.79	5.51	4.89	3.23	6.11	4.69	3.61	6.66

OCU-S500SF Low Temp Scroll Liquid-injection Unit Capacity/Power(KW) Current(A)

Evaporative Temp. (°C)	Ambient Temp 32°C			Ambient Temp 38°C			Ambient Temp 43°C		
	Capacity	Power	Input Current	Capacity	Power	Input Current	Capacity	Power	Input Current
-40	2.61	3.33	6.37	2.40	3.83	7.06	2.28	4.42	7.92
-35	3.29	3.36	6.42	3.06	3.87	7.12	2.84	4.49	8.04
-30	4.02	3.42	6.50	3.75	3.92	7.21	3.50	4.52	8.09
-25	4.90	3.51	6.63	4.61	3.98	7.30	4.26	4.65	8.28
-20	5.99	3.65	6.83	5.64	4.12	7.51	5.25	4.67	8.33
-15	7.22	3.66	6.85	6.85	4.18	7.60	6.35	4.74	8.44

OCU-S600SF Low Temp Scroll Liquid-injection Unit Capacity/Power(KW) Current(A)

Evaporative Temp. (°C)	Ambient Temp 32°C			Ambient Temp 38°C			Ambient Temp 43°C		
	Capacity	Power	Input Current	Capacity	Power	Input Current	Capacity	Power	Input Current
-40	2.87	3.68	7.62	2.69	4.09	8.16	2.53	4.59	8.81
-35	3.43	3.70	7.65	3.30	4.14	8.21	3.10	4.67	8.92
-30	4.23	3.76	7.73	4.01	4.21	8.31	3.78	4.78	9.07
-25	5.10	3.80	7.79	4.76	4.32	8.46	4.47	4.84	9.15
-20	6.07	3.91	7.92	5.69	4.38	8.54	5.34	4.85	9.20
-15	7.37	3.96	8.00	6.85	4.45	8.64	6.46	4.92	9.30



Ambient Temp -7°C~+48°C
Evaporative Temp -40°C~-15°C
Electric System 3φ 380V 50Hz

OCU-S400QSF Low Temp Scroll Make-up Gas Unit Capacity/Power(KW) Current(A)

Evaporative Temp. (°C)	Ambient Temp 32°C			Ambient Temp 38°C			Ambient Temp 43°C		
	Capacity	Power	Input Current	Capacity	Power	Input Current	Capacity	Power	Input Current
-40	2.24	2.62	5.26	2.21	3.01	5.79	2.16	3.61	6.63
-35	2.91	2.82	5.54	2.77	3.26	6.14	2.68	3.71	6.79
-30	3.57	2.86	5.59	3.40	3.33	6.24	3.31	3.83	6.97
-25	4.46	2.97	5.75	4.24	3.45	6.44	4.10	3.92	7.12
-20	5.45	3.04	5.85	5.27	3.51	6.52	5.00	3.95	7.18
-15	6.48	3.09	5.92	6.16	3.54	6.57	6.04	4.04	7.31

OCU-S500QSF Low Temp Scroll Make-up Gas Unit Capacity/Power(KW) Current(A)

Evaporative Temp. (°C)	Ambient Temp 32°C			Ambient Temp 38°C			Ambient Temp 43°C		
	Capacity	Power	Input Current	Capacity	Power	Input Current	Capacity	Power	Input Current
-40	3.05	3.61	6.75	2.92	4.05	7.38	2.76	4.47	7.97
-35	3.81	3.71	6.89	3.73	4.18	7.58	3.44	4.52	8.05
-30	4.78	3.82	7.05	4.56	4.33	7.80	4.32	4.62	8.21
-25	5.71	3.91	7.18	5.28	4.47	8.01	5.19	4.81	8.50
-20	6.87	3.93	7.22	6.58	4.55	8.13	6.30	4.91	8.67
-15	8.15	4.04	7.37	7.99	4.59	8.19	7.59	5.04	8.88

OCU-S600QSF Low Temp Scroll Make-up Gas Unit Capacity/Power(KW) Current(A)

Evaporative Temp. (°C)	Ambient Temp 32°C			Ambient Temp 38°C			Ambient Temp 43°C		
	Capacity	Power	Input Current	Capacity	Power	Input Current	Capacity	Power	Input Current
-40	3.30	3.88	7.61	3.22	4.33	8.21	3.15	4.88	9.00
-35	4.14	3.92	7.66	3.94	4.43	8.35	3.83	4.95	9.10
-30	5.20	4.02	7.80	4.95	4.53	8.52	4.75	5.04	9.22
-25	6.27	4.05	7.85	6.01	4.63	8.64	5.82	5.14	9.38
-20	7.52	4.19	8.05	7.23	4.75	8.84	6.85	5.28	9.62
-15	9.00	4.31	8.23	8.65	4.84	8.97	8.25	5.39	9.78



Ambient Temp -7°C~+48°C
Evaporative Temp -40°C~-5°C
Electric System 3φ 380V 50Hz

OCU-NR300SF Low Temp Rotor Unit Capacity/Power(KW) Current(A)

Evaporative Temp. (°C)	Ambient Temp 32°C			Ambient Temp 38°C			Ambient Temp 43°C		
	Capacity	Power	Input Current	Capacity	Power	Input Current	Capacity	Power	Input Current
-40	1.35	1.74	3.35	1.21	1.88	3.56	1.11	2.02	3.77
-35	1.71	1.81	3.47	1.55	1.98	3.70	1.43	2.12	3.92
-30	2.23	1.93	3.63	1.98	2.07	3.85	1.83	2.23	4.10
-25	2.64	2.03	3.79	2.37	2.21	4.07	2.19	2.38	4.32
-20	3.16	2.10	3.88	2.84	2.29	4.18	2.65	2.51	4.53
-15	3.90	2.19	4.04	3.47	2.41	4.38	3.11	2.60	4.68
-10	4.58	2.30	4.20	4.12	2.52	4.54	3.65	2.72	4.86
-5	5.75	2.38	4.33	5.08	2.63	4.72	4.70	2.82	5.03



Ambient Temp -7°C~+48°C
Evaporative Temp -40°C~-15°C
Electric System 3φ380V 50Hz

Low Temp Scroll Liquid-injection Unit Capacity/Power(KW) Current(A)

R404A	Evaporative Temp. (°C)	Ambient Temp 32°C			Ambient Temp 38°C			Ambient Temp 43°C		
		Capacity	Power Input	Current	Capacity	Power Input	Current	Capacity	Power Input	Current
OCU-NS400SF	-40	2.04	3.04	5.84	1.85	3.55	6.56	1.72	4.02	7.26
	-35	2.48	3.05	5.86	2.25	3.60	6.65	2.04	4.09	7.38
	-30	3.11	3.08	5.90	2.75	3.61	6.66	2.63	4.09	7.39
	-25	3.76	3.01	5.81	3.34	3.65	6.73	3.15	4.10	7.41
	-20	4.50	3.08	5.92	4.03	3.52	6.56	3.83	4.12	7.45
OCU-NS500SF	-15	5.41	3.16	6.04	4.81	3.61	6.68	4.37	4.03	7.31
	-40	2.61	3.85	7.08	2.36	4.43	7.92	2.26	4.95	8.72
	-35	3.19	3.91	7.18	2.85	4.47	8.00	2.55	5.03	8.83
	-30	3.95	4.02	7.33	3.55	4.52	8.08	3.17	5.08	8.93
	-25	4.62	3.81	7.04	4.36	4.58	8.18	4.12	5.11	8.98
OCU-NS600SF	-20	5.76	4.05	7.25	5.11	4.44	7.97	4.77	5.18	9.09
	-15	7.05	4.06	7.41	6.22	4.60	8.23	5.55	5.07	8.94
	-40	2.91	4.06	7.81	2.57	4.93	9.04	2.42	5.71	10.27
	-35	3.52	4.10	7.87	3.09	4.97	9.09	2.67	5.74	10.36
	-30	4.37	4.34	8.22	3.77	4.87	8.98	3.38	5.72	10.24
	-25	4.98	4.18	7.98	4.50	5.03	9.21	4.28	5.72	10.24
	-20	6.25	4.37	8.12	5.25	4.86	8.96	4.87	5.74	10.28
	-15	7.73	4.29	8.13	6.50	5.16	9.43	5.94	5.65	10.13



Ambient Temp -7°C~+48°C
Evaporative Temp -40°C~-15°C
Electric System 3φ380V 50Hz

Low Temp Scroll Make-up Gas Capacity/Power(KW) Current(A)

R404A	Evaporative Temp. (°C)	Ambient Temp 32°C			Ambient Temp 38°C			Ambient Temp 43°C		
		Capacity	Power Input	Current	Capacity	Power Input	Current	Capacity	Power Input	Current
OCU-NS400QSF	-40	2.50	3.22	6.10	2.28	3.82	6.97	2.17	4.50	8.00
	-35	3.18	3.32	6.25	2.94	3.92	7.13	2.78	4.55	8.06
	-30	4.07	3.43	6.42	3.77	4.03	7.30	3.41	4.63	8.20
	-25	4.98	3.49	6.50	4.71	4.08	7.37	4.29	4.66	8.25
	-20	5.81	3.52	6.56	5.70	4.09	7.41	5.26	4.74	8.41
OCU-NS500QSF	-15	6.81	3.54	6.59	6.62	4.17	7.54	6.34	4.77	8.45
	-40	3.35	4.16	7.53	3.18	4.77	8.43	3.04	5.31	9.20
	-35	4.25	4.24	7.65	3.98	4.85	8.56	3.90	5.37	9.27
	-30	5.21	4.32	7.77	4.96	5.04	8.84	4.78	5.46	9.51
	-25	6.45	4.35	7.83	6.08	5.04	8.88	5.67	5.62	9.77
OCU-NS600QSF	-20	7.67	4.45	7.97	7.27	5.10	8.97	6.85	5.73	9.95
	-15	8.73	4.66	8.31	8.53	5.14	9.04	7.92	5.78	10.03
	-40	3.73	4.39	8.31	3.45	5.31	9.62	3.27	6.13	10.84
	-35	4.68	4.44	8.39	4.33	5.38	9.73	4.07	6.14	10.88
	-30	5.76	4.66	8.71	5.26	5.42	9.82	5.09	6.15	10.90
	-25	6.95	4.77	8.87	6.28	5.54	10.00	5.89	6.29	11.14
	-20	8.31	4.80	8.93	7.47	5.59	10.08	6.99	6.36	11.25
	-15	9.58	4.93	9.12	8.91	5.77	10.36	8.47	6.43	11.37



Ambient Temp -7°C~+43°C
Evaporative Temp -40°C~-5°C
Electric System 3φ380V 50Hz



R404A

OCU-NR300DSF Low and Medium Temp Inverter Unit Capacity/Power(KW) Current(A)

Frequency	Evaporative Temp. (°C)	Ambient Temp 32°C			Ambient Temp 38°C			Ambient Temp 43°C		
		Capacity	Power Input	Current	Capacity	Power Input	Current	Capacity	Power Input	Current
160Hz	-40	1.60	1.86	3.80	1.45	1.97	4.03	1.36	2.10	4.28
	-35	2.01	2.00	4.08	1.85	2.14	4.36	1.70	2.26	4.60
	-30	2.41	2.14	4.36	2.26	2.30	4.66	2.07	2.42	4.90
	-25	2.98	2.30	4.67	2.79	2.45	4.95	2.45	2.58	5.19
	-20	3.56	2.49	5.02	3.32	2.63	5.29	2.89	2.80	5.62
120Hz	-15	4.29	2.65	5.33	3.90	2.84	5.69	3.51	3.00	6.00
	-10	5.03	2.83	5.67	4.56	3.03	6.05	4.16	3.23	6.41
	-5	6.24	3.00	6.00	5.72	3.25	6.47	5.49	3.48	6.89
	-40	1.23	1.42	2.94	1.15	1.52	3.14	1.05	1.61	3.33
	-35	1.55	1.51	3.11	1.42	1.61	3.32	1.29	1.71	3.53
80Hz	-30	1.93	1.61	3.32	1.75	1.71	3.53	1.59	1.81	3.74
	-25	2.30	1.70	3.51	2.16	1.82	3.75	2.02	1.94	3.98
	-20	2.83	1.81	3.71	2.58	1.93	3.96	2.38	2.06	4.21
	-15	3.39	1.91	3.91	3.10	2.06	4.20	2.85	2.19	4.47
	-10	3.90	2.01	4.10	3.64	2.17	4.42	3.38	2.32	4.71
50Hz	-5	5.06	2.10	4.28	4.72	2.29	4.66	4.27	2.46	4.97
	-40	0.83	1.02	2.12	0.73	1.09	2.25	0.72	1.16	2.41
	-35	1.03	1.06	2.21	0.97	1.14	2.38	0.92	1.22	2.53
	-30	1.29	1.12	2.33	1.20	1.21	2.51	1.13	1.28	2.66
	-25	1.58	1.17	2.45	1.47	1.27	2.63	1.37	1.35	2.79
	-20	1.92	1.23	2.55	1.75	1.32	2.74	1.63	1.41	2.92
	-15	2.33	1.29	2.68	2.08	1.38	2.88	1.92	1.48	3.06
	-10	2.76	1.33	2.77	2.52	1.46	3.03	2.35	1.56	3.23
	-5	3.54	1.37	2.84	3.27	1.51	3.13	3.03	1.63	3.37
	-40	0.45	0.75	1.56	0.43	0.81	1.69	0.40	0.87	1.82
	-35	0.63	0.77	1.59	0.59	0.84	1.75	0.54	0.89	1.87
	-30	0.80	0.79	1.66	0.75	0.86	1.80	0.73	0.92	1.94
	-25	0.98	0.82	1.71	0.89	0.89	1.86	0.84	0.96	2.01
	-20	1.20	0.85	1.77	1.13	0.93	1.95	1.09	1.00	2.11
	-15	1.45	0.88	1.82	1.36	0.96	2.00	1.27	1.05	2.20
	-10	1.73	0.90	1.87	1.55	1.01	2.10	1.40	1.09	2.28
	-5	2.21	0.92	1.92	2.03	1.02	2.14	1.91	1.12	2.34



R404A

Ambient Temp $-7^{\circ}\text{C}\sim+43^{\circ}\text{C}$ Evaporative Temp $-20^{\circ}\text{C}\sim-5^{\circ}\text{C}$ Electric System $3\phi 380\text{V } 50\text{Hz}$

OCU-NS600VSFJ Medium Temp Scroll Inverter Unit Capacity/Power(KW) Current(A)

Frequency	Evaporative Temp. (°C)	Ambient Temp 21°C			Ambient Temp 32°C			Ambient Temp 43°C		
		Capacity	Power Input	Current	Capacity	Power Input	Current	Capacity	Power Input	Current
70Hz	-20	12.21	5.10	9.00	10.60	6.21	11.47	8.31	7.46	13.35
	-10	15.84	5.72	9.99	13.66	6.83	12.40	10.97	8.09	14.04
	-5	18.27	6.09	10.54	15.47	7.14	12.68	11.59	8.29	14.78
50Hz	-20	9.04	3.46	6.87	8.14	4.36	8.11	6.75	5.46	9.59
	-10	12.56	3.85	7.37	11.21	4.64	8.52	9.26	5.70	10.30
	-5	14.57	4.01	7.49	12.51	4.79	8.96	10.11	5.83	10.35
25Hz	-20	3.89	2.01	3.65	2.95	2.52	4.65	—	—	—
	-10	4.84	1.98	3.62	3.89	2.49	4.62	3.25	3.23	6.17
	-5	5.79	1.97	3.60	4.84	2.46	4.60	4.05	3.23	6.20
		6.47	1.94	3.70	5.47	2.42	4.76	4.81	3.21	6.12

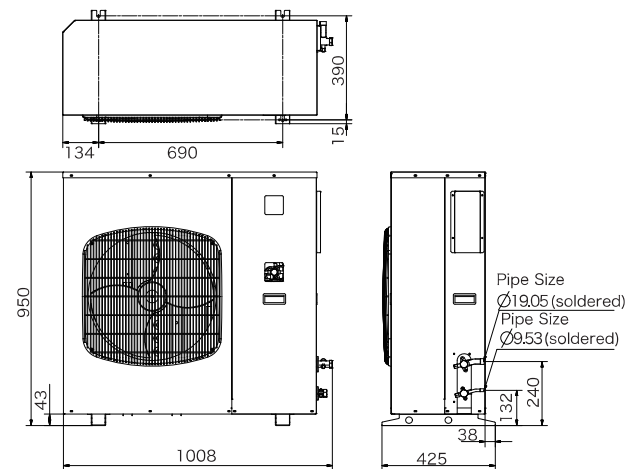


R404A

Ambient Temp $-7^{\circ}\text{C}\sim+43^{\circ}\text{C}$ Evaporative Temp $-45^{\circ}\text{C}\sim-5^{\circ}\text{C}$ Electric System $3\phi 380\text{V } 50\text{Hz}$

OCU-NS800VSFJ Medium and Low Scroll Inverter Unit Capacity/Power(KW) Current(A)

Frequency	Evaporative Temp. (°C)	Ambient Temp 21°C			Ambient Temp 32°C			Ambient Temp 43°C		
		Capacity	Power Input	Current	Capacity	Power Input	Current	Capacity	Power Input	Current
70Hz	-40	7.88	6.92	11.74	6.91	8.36	14.80	5.38	9.81	17.05
	-30	12.29	7.88	13.31	10.70	9.53	16.70	8.32	11.23	19.27
	-20	17.96	8.93	14.78	15.60	10.70	18.50	12.21	12.59	21.29
	-10	24.80	9.91	16.29	21.50	11.90	20.30	16.87	14.01	23.42
	-5	28.83	10.49	16.92	24.90	12.60	21.10	19.49	14.79	24.35
50Hz	-40	5.86	4.89	9.71	5.31	6.06	11.40	4.35	7.47	13.46
	-30	9.30	5.31	10.22	8.46	6.56	12.00	6.97	8.02	14.18
	-20	13.76	5.92	10.95	12.50	7.19	12.90	10.28	8.89	15.27
	-10	19.41	6.59	12.10	17.30	7.97	14.20	14.22	9.83	16.79
	-5	23.07	6.97	12.78	20.00	8.41	15.00	16.51	10.43	17.72
25Hz	-40	2.82	2.53	4.67	2.32	3.17	5.97	1.95	4.15	7.86
	-30	4.59	2.72	4.86	3.80	3.44	6.26	3.22	4.43	8.23
	-20	6.84	2.99	5.29	5.63	3.76	6.75	4.76	4.86	8.89
	-10	9.25	3.28	5.81	7.74	4.15	7.41	6.57	5.41	9.76
	-5	10.71	3.52	6.12	8.97	4.39	7.82	7.59	5.74	10.24



Medium Temp Scroll Unit with Single Fan

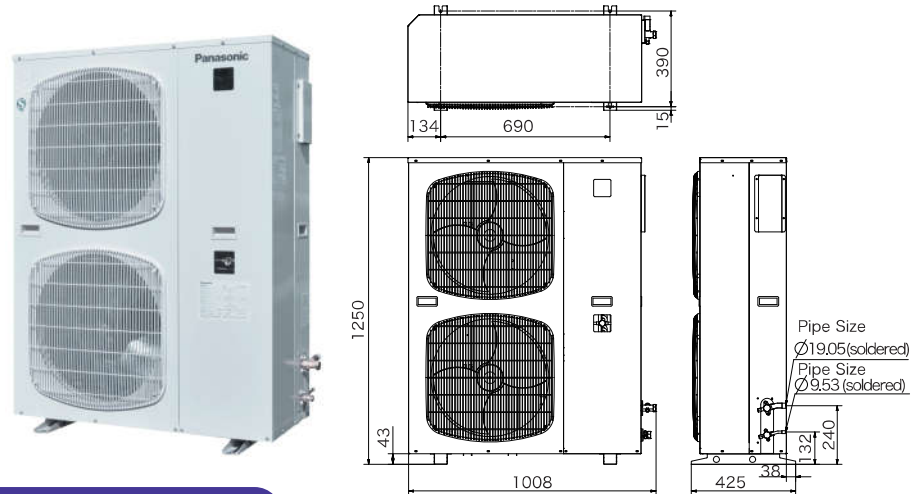
R22

R404A

Model		OCU-S350HF	OCU-S400HF	OCU-NS350HF	OCU-NS400HF	
Nominal Output		2.63kw	3.0kw	2.63kw	3.0kw	
Ambient Temp		$-7\sim+48^{\circ}\text{C}$	$-7\sim+48^{\circ}\text{C}$	$-7\sim+48^{\circ}\text{C}$	$-7\sim+48^{\circ}\text{C}$	
Evaporative Temp		$-15\sim+10^{\circ}\text{C}$	$-15\sim+10^{\circ}\text{C}$	$-15\sim+10^{\circ}\text{C}$	$-15\sim+10^{\circ}\text{C}$	
Compressor	Cooling Method	Liquid Injection	Liquid Injection	Natural Gas	Natural Gas	
	Refrigerant Oil	SAY-56T 1.7L	SAY-56T 1.7L	FV68S 1.7L	FV68S 1.7L	
Crankcase Heater		220V 35W	220V 35W	220V 35W	220V 35W	
Condenser	Structure		Finned Tube	Finned Tube	Finned Tube	Finned Tube
	Fan	Voltage/Power	220V/70W	220V/70W	220V/70W	220V/70W
		Fan Diameter	460mm	460mm	460mm	460mm
		Quantity	1	1	1	1
Accumulator Volume		3L	3L	3L	3L	
Suction Accumulator Volume		—	—	—	—	
Protection	Antiphase Protection		Yes	Yes	Yes	Yes
	High Pressure Switch Protection		2.6MPa	2.6MPa	2.78MPa	2.78MPa
	Discharge Gas Temp Protection		130°C	130°C	130°C	130°C
	Over-current Protection		7.5A	9.5A	7.5A	9.5A
	Over Load Protection of Fan Motor		135°C	135°C	135°C	135°C
	Fuse		5A	5A	5A	5A
	Motor Temp Protection		145°C	145°C	145°C	145°C
Pipe	Gas Inlet	19.05mm	19.05mm	19.05mm	19.05mm	
	Liquid Outlet	9.53mm	9.53mm	9.53mm	9.53mm	
Finished Weight		101kg	103kg	101kg	103kg	
Sound Level		54dB	54dB	54dB	54dB	

Medium Temperature Unit Configuration Profile

(Medium Temp Scroll Unit with Double Fans)



Medium Temp Scroll Unit with Double Fans

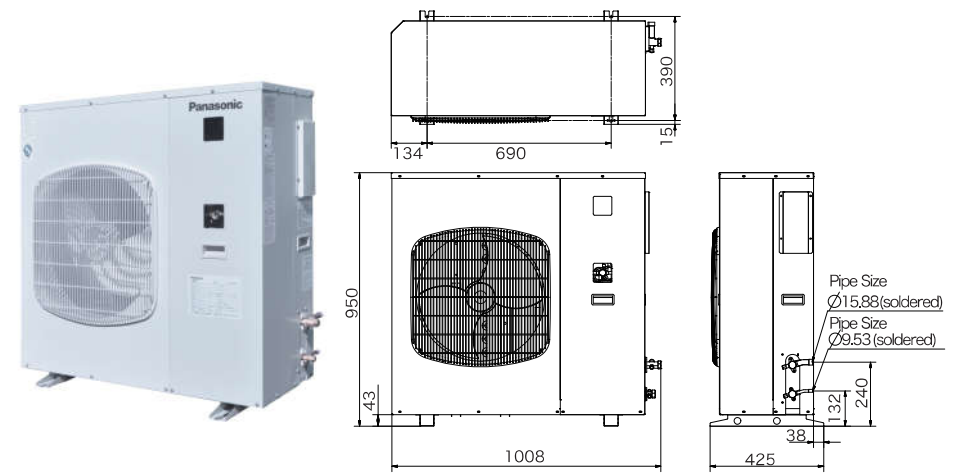
R22

R404A

Model		R22		R404A				
		OCU -S500HF	OCU -S600HF	OCU -S700HF	OCU -NS500HF	OCU -NS600HF	OCU -NS700HF	
Nominal Output		3.75kw	4.5kw	5.25kw	3.75kw	4.5kw	5.25kw	
Ambient Temp		-7~+48°C	-7~+48°C	-7~+48°C	-7~+48°C	-7~+48°C	-7~+48°C	
Evaporative Temp		-15~+10°C	-15~+10°C	-15~+10°C	-15~+10°C	-15~+10°C	-15~+10°C	
Compressor	Cooling Method	Liquid Injection	Liquid Injection	Liquid Injection	Natural Gas	Natural Gas	Natural Gas	
	Refrigerant Oil	SAY-56T 1.7L	SAY-56T 1.7L	SAY-56T 1.7L	FV68S 1.7L	FV68S 1.7L	FV68S 1.7L	
	Crankcase Heater	220V 35W	220V 35W	220V 35W	220V 35W	220V 35W	220V 35W	
Condenser	Structure		Finned Tube	Finned Tube	Finned Tube	Finned Tube	Finned Tube	
	Fan	Voltage/Power	220V/70W	220V/70W	220V/70W	220V/70W	220V/70W	
		Fan Diameter	460mm	460mm	460mm	460mm	460mm	460mm
		Quantity	2	2	2	2	2	2
Accumulator Volume		3L	6L	6L	3L	6L	6L	
Suction Accumulator Volume		—	—	—	—	—	—	
Protection	Antiphase Protection	Yes	Yes	Yes	Yes	Yes	Yes	
	High Pressure Switch Protection	2.6MPa	2.6MPa	2.6MPa	2.78MPa	2.78MPa	2.78MPa	
	Discharge Gas Temp Protection	130°C	130°C	130°C	130°C	130°C	130°C	
	Over-current Protection	11A	13A	15A	11A	13A	15A	
	Over Load Protection of Fan Motor	135°C	135°C	135°C	135°C	135°C	135°C	
	Fuse	5A	5A	5A	5A	5A	5A	
	Motor Temp Protection	145°C	145°C	145°C	145°C	145°C	145°C	
Pipe	Gas Inlet	19.05mm	19.05mm	19.05mm	19.05mm	19.05mm	19.05mm	
	Liquid Outlet	9.53mm	9.53mm	9.53mm	9.53mm	9.53mm	9.53mm	
Finished Weight		122kg	127kg	131kg	122kg	127kg	131kg	
Sound Level		57dB	57dB	57dB	57dB	57dB	57dB	

Low Temperature Unit Configuration Profile

(Medium and Low Temp Rotor Unit with Single Fan)



Medium and Low Temp Rotor Unit with Single Fan

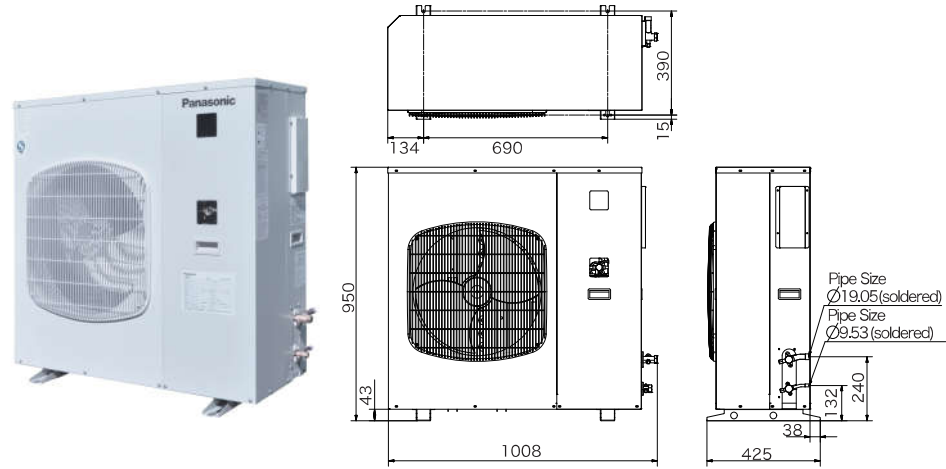
R22

R404A

Model		R22	R404A
		OCU-R300SF	OCU-NR300SF
Nominal Output		2.2kw	2.2kw
Ambient Temp		-7~+48°C	-7~+48°C
Evaporative Temp		-40~-5°C	-40~-5°C
Compressor	Cooling Method	Liquid Injection	Liquid Injection
	Refrigerant Oil	3GSD-T 0.9L	FV68S 0.9L
	Crankcase Heater	240V 25W	240V 25W
Condenser	Structure		Finned Tube
	Fan	Voltage/Power	220V/70W
		Fan Diameter	460mm
		Quantity	1
Accumulator Volume		3L	3L
Suction Accumulator Volume		2L	2L
Protection	Antiphase Protection	Yes	Yes
	High Pressure Switch Protection	2.6MPa	2.78MPa
	Discharge Gas Temp Protection	130°C	130°C
	Over-current Protection	5.5A	5.5A
	Over Load Protection of Fan Motor	135°C	135°C
	Fuse	5A	5A
	Motor Temp Protection	Yes	Yes
Pipe	Gas Inlet	15.88mm	15.88mm
	Liquid Outlet	9.53mm	9.53mm
Finished Weight		95kg	95kg
Sound Level		54dB	54dB

Low Temperature Unit Configuration Profile

(Low Temp Scroll Unit with Single Fan)



Low Temp Scroll Unit with Single Fan

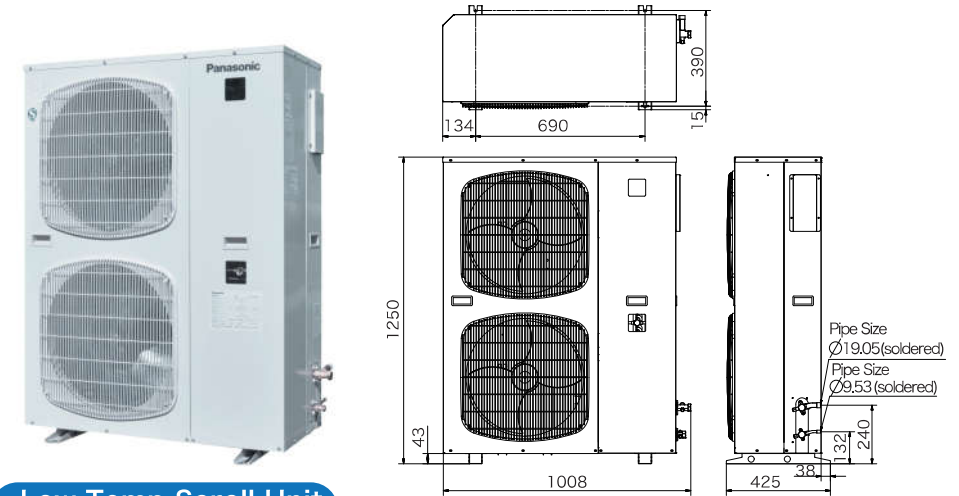
R22

R404A

Model		OCU-S400SF	OCU-S400QSF	OCU-NS400SF	OCU-NS400QSF	
Nominal Output		3.0kw	3.0kw	3.0kw	3.0kw	
Ambient Temp		-7~+48°C	-7~+48°C	-7~+48°C	-7~+48°C	
Evaporative Temp		-40~-15°C	-40~-15°C	-40~-15°C	-40~-15°C	
Compressor	Cooling Method	Liquid Injection	Make-up gas	Liquid Injection	Make-up Gas	
	Refrigerant Oil	3GSD 1.7L	3GSD 1.7L	FV32S 1.7L	FV32S 1.7L	
	Crankcase Heater	220V 35W	220V 35W	220V 35W	220V 35W	
Condenser	Structure		Finned Tube	Finned Tube	Finned Tube	Finned Tube
	Fan	Voltage/Power	220V/70W	220V/70W	220V/70W	220V/70W
		Fan Diameter	460mm	460mm	460mm	460mm
		Quantity	1	1	1	1
Accumulator Volume		3L	3L	3L	3L	
Suction Accumulator Volume		2L	2L	2L	2L	
Protection	Antiphase Protection		Yes	Yes	Yes	Yes
	High Pressure Switch Protection		2.6MPa	2.6MPa	2.78MPa	2.78MPa
	Discharge Gas Temp Protection		130°C	130°C	130°C	130°C
	Over-current Protection		9.5A	9.5A	9.5A	9.5A
	Over Load Protection of Fan Motor		135°C	135°C	135°C	135°C
	Fuse		5A	5A	5A	5A
	Motor Temp Protection		Yes	Yes	Yes	Yes
Pipe	Gas Inlet	19.05mm	19.05mm	19.05mm	19.05mm	
	Liquid Outlet	9.53mm	9.53mm	9.53mm	9.53mm	
Finished Weight		109kg	111kg	109kg	111kg	
Sound Level		54dB	54dB	54dB	54dB	

Low Temperature Unit Configuration Profile

(Low Temp R22 Scroll Unit with Double Fans)



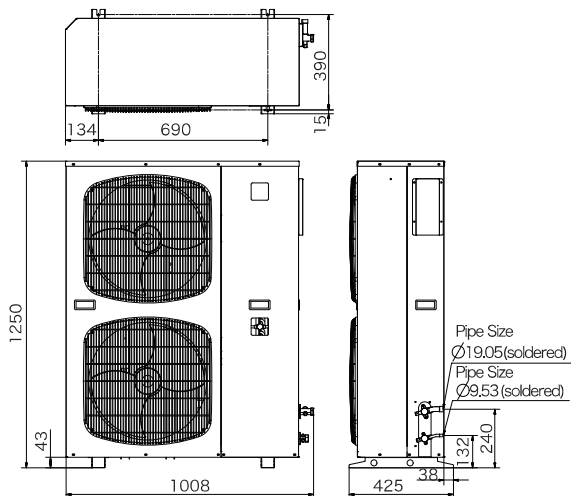
Low Temp Scroll Unit with Double Fans

R22

Model		OCU-S500SF	OCU-S600SF	OCU-S500QSF	OCU-S600QSF	
Nominal Output		3.75kw	4.5kw	3.75kw	4.5kw	
Ambient Temp		-7~+48°C	-7~+48°C	-7~+48°C	-7~+48°C	
Evaporative Temp		-40~-15°C	-40~-15°C	-40~-15°C	-40~-15°C	
Compressor	Cooling Method	Liquid Injection	Liquid Injection	Make-up Gas	Make-up Gas	
	Refrigerant Oil	3GSD 1.7L	3GSD 1.7L	3GSD 1.7L	3GSD 1.7L	
	Crankcase Heater	220V 35W	220V/35W	220V 35W	220V 35W	
Condenser	Structure		Finned Tube	Finned Tube	Finned Tube	Finned Tube
	Fan	Voltage/Power	220V/70W	220V/70W	220V/70W	220V/70W
		Fan Diameter	460mm	460mm	460mm	460mm
		Quantity	2	2	2	2
Accumulator Volume		3L	6L	3L	6L	
Suction Accumulator Volume		3.5L	3.5L	3.5L	3.5L	
Protection	Antiphase Protection		Yes	Yes	Yes	Yes
	High Pressure Switch Protection		2.6MPa	2.6MPa	2.6MPa	2.6MPa
	Discharge Gas Temp Protection		130°C	130°C	130°C	130°C
	Over-current Protection		11A	13A	11A	13A
	Over Load Protection of Fan Motor		135°C	135°C	135°C	135°C
	Fuse		5A	5A	5A	5A
	Motor Temp Protection		Yes	Yes	Yes	Yes
Pipe	Gas Inlet	19.05mm	19.05mm	19.05mm	19.05mm	
	Liquid Outlet	9.53mm	9.53mm	9.53mm	9.53mm	
Finished Weight		128kg	140kg	130kg	142kg	
Sound Level		57dB	57dB	57dB	57dB	

Low Temperature Unit Configuration Profile

(R404A Low Temp Scroll Unit with Double Fans)



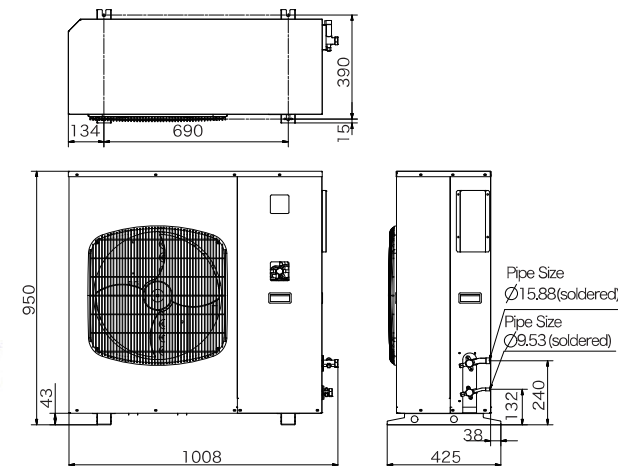
R404A

Low Temp Scroll Unit with Double Fans

Model	OCU-NS500SF	OCU-NS600SF	OCU-NS500QSF	OCU-NS600QSF
Nominal Output	3.75kw	4.5kw	3.75kw	4.5kw
Ambient Temp	-7~+48°C	-7~+48°C	-7~+48°C	-7~+48°C
Evaporative Temp	-40~-15°C	-40~-15°C	-40~-15°C	-40~-15°C
Compressor	Cooling Method	Liquid Injection	Liquid Injection	Make-up Gas
	Refrigerant Oil	FV32S 1.7L	FV32S 1.7L	FV32S 1.7L
	Crankcase Heater	220V 35W	220V 35W	220V 35W
Condenser	Structure	Finned Tube	Finned Tube	Finned Tube
	Voltage/Power	220V/70W	220V/70W	220V/70W
	Fan Diameter	460mm	460mm	460mm
	Quantity	2	2	2
Accumulator Volume	3L	6L	3L	6L
Suction Accumulator Volume	3.5L	3.5L	3.5L	3.5L
Protection	Antiphase Protection	Yes	Yes	Yes
	High Pressure Switch Protection	2.78MPa	2.78MPa	2.78MPa
	Discharge Gas Temp Protection	130°C	130°C	130°C
	Over-current Protection	11A	13A	11A
	Over Load Protection of Fan Motor	135°C	135°C	135°C
	Fuse	5A	5A	5A
Pipe	Gas Inlet	19.05mm	19.05mm	19.05mm
	Liquid Outlet	9.53mm	9.53mm	9.53mm
Finished Weight	128kg	140kg	130kg	142kg
Sound Level	57dB	57dB	57dB	57dB

Inverter Unit Configuration Profile

(3HP Inverter Unit)



Model

OCU-NR300DSF

Nominal Output	2.2kw	
Refrigerant Oil	SV68S 0.9L	
Ambient Temp	-7~+43°C	
Evaporative Temp	-5~-40°C	
Condenser	Structure	Finned Tube
	Voltage/Power	220V/70W
	Diameter	460mm
Quantity	1	
Accumulator Volume	3L	
Suction Accumulator Volume	2L	
Protection	Anti-phase Protection	Yes
	High Pressure Switch Protection	2.78MPa
	Discharge Gas Temp Protection	110°C
	Over-current Protection	6.2A
	Overload Protection of Fan Motor	135°C
	Fuse	5A
Pipe	Gas Inlet	15.88mm
	Liquid Outlet	9.53mm
Finished Weight	100kg	
Sound Level	54dB 50Hz	

R404A

Ambient Temp
-7°C~+43°C

Evaporative Temp
-40°C~-5°C

Electric System
3 ϕ 380V 50Hz

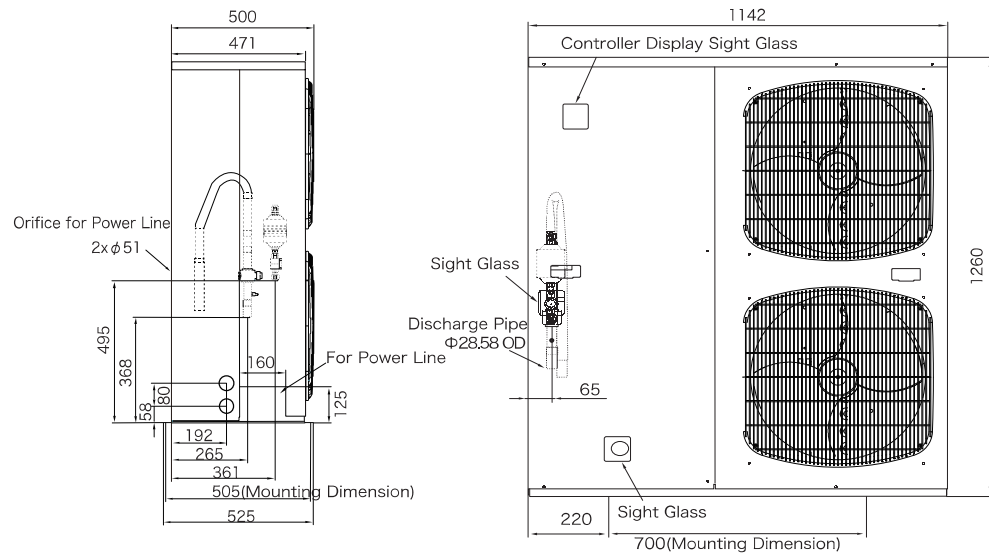
LT

MT

50Hz~160Hz
INVERTER

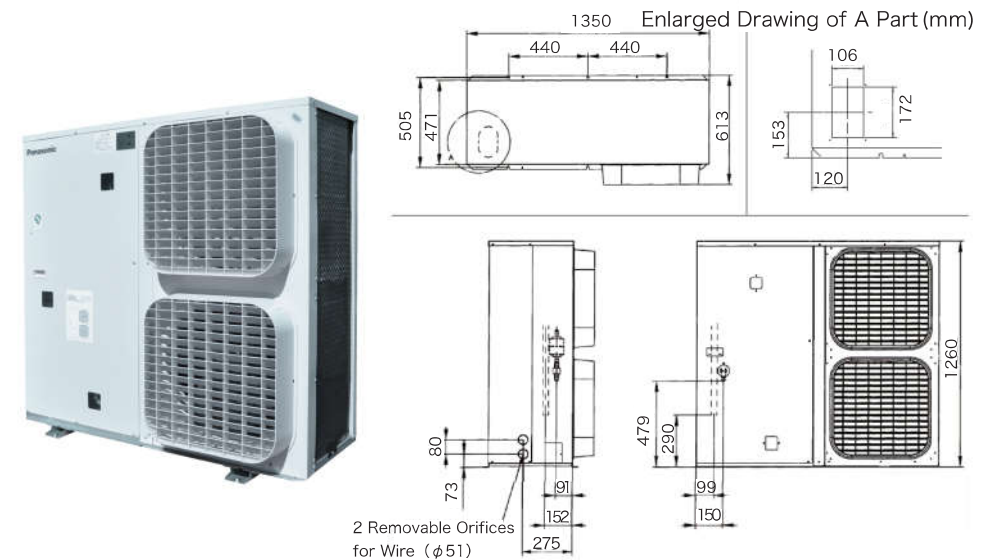
Inverter Unit Configuration Profile

(6HP Inverter Unit)



Inverter Unit Configuration Profile

(8HP Inverter Unit)



Model		OCU-NS600VSFJ	
Nominal Output		4.5kw	
Refrigerant Oil		FV32S	
Ambient Temp		-7~+43°C	
Evaporative Temp		-20~-5°C	
Condenser	Structure	Fin Coil	
	Fan	Voltage/Power	220V/68W
		Diameter	460mm
		Quantity	2
Accumulator Volume		5.6L	
Suction Accumulator Volume		5L	
Protection	Anti-phase Protection	Yes	
	High Pressure Switch Protection	2.78MPa	
	Discharge Gas Temp Protection	130°C	
	Over-current Protection	Yes	
	Overload Protection of Fan Motor	110°C	
	Fuse	5A	
Pipe	Gas Inlet	28.58mm	
	Liquid Outlet	12.7mm	
Finished Weight		162kg	
Sound Level		57dB 50Hz	

R404A

Ambient Temp
-7°C~+43°C

Evaporative Temp
-20°C~-5°C

Electric System
3 φ 380V 50Hz

MT

INVERTER

Model		OCU-NS800VSFJ	
Nominal Output		6kw	
Refrigerant Oil		FV32S	
Ambient Temp		-7~+43°C	
Evaporative Temp		-45~-5°C	
Condenser	Structure	Finned Tube	
	Fan	Voltage/Power	380V/150W
		Diameter	500mm
		Quantity	2
Accumulator Volume		20L	
Suction Accumulator Volume		4.3L	
Protection	Anti-phase Protection	Yes	
	High Pressure Switch Protection	2.78MPa	
	Discharge Gas Temp Protection	130°C	
	Over-current Protection	Yes	
	Overload Protection of Fan Motor	110°C	
	Fuse	5A	
Pipe	Gas Inlet	31.75mm	
	Liquid Outlet	15.88mm	
Finished Weight		252kg	
Sound Level		57dB 50Hz	

R404A

Ambient Temp
-7°C~+43°C

Evaporative Temp
-45°C~-5°C

Electric System
3 φ 380V 50Hz

LT

MT

INVERTER